

DOWEL

DEFORMATION JOINT PROFILE FOR INDUSTRIAL CONCRETE FLOORS

Product description

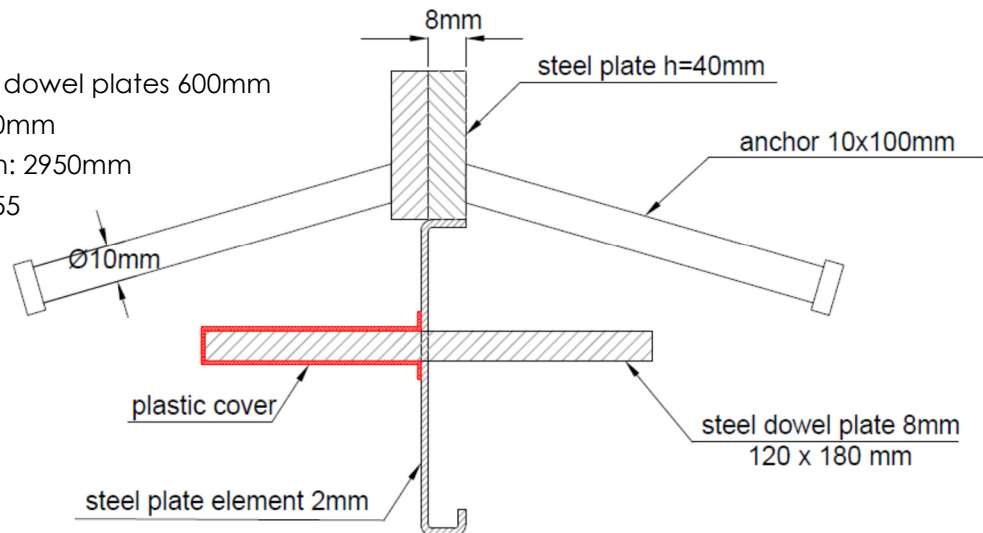
DOWEL free movement joint is a leave-in-place formwork, load transfer and edge protection joint system suitable for heavy duty industrial concrete floors.

Dowel expansion joints ensure an even distribution of the loads between floor plates by preventing excessive local tensions. Expansion joints help to eliminate the main reason behind uncontrolled floor cracking, they make the floor last longer and improve use confort.



Technical data

- Distance of the dowel plates 600mm
- Overlapping: 60mm
- Standard length: 2950mm
- Steel grade: S355



Floor thickness (mm)	Joint height (mm)	Weight (kg/tk)	Pieces on pallet	Pallet weight (kg)
90-110	90	31.8	75	2550
110-120	100	32.3	70	2450
130-150	125	33.5	70	2500
160-180	155	34.9	70	2600
180-200	175	35.9	66	2550

Sales

Betotrade OÜ
 Tapri 13, Tallinn, 11415
 Tel: +372 656 6767
 E-post: info@betotrade.ee